

General Specifications

Model TDLS™ 8000 Tunable Diode Laser Spectrometer

GS 11Y01D01-01EN

■ Overview

Yokogawa's new TDLS™ 8000 houses all of the industry's leading features in one robust device. The platform design is for in situ measurements which negate the need for sample extraction and conditioning.

The non-contacting sensor allows for a variety of process types including corrosive, abrasive and condensing.

The first generation platform has been proven in many others for the measurements of O₂, CO, CH₄, NH₃, H₂O and many more NIR absorbing gases.

This second generation platform has improved reliability and ease of installation and maintenance while still meeting or exceeding designed application demands.



TDLS8000 with YH8000 HMI Unit

■ Features

• SIL2, TruePeak combined with smart laser technology

- Measurement integrates the area of the absorbance and gets a true, interference-free analysis under changing pressure, temperature and background
- Laser module is replaceable on site without any calibration or adjustment
- Internal reference cell in the laser module ensures peak locking during trace measurement
- Laser and Detector modules are sealed to protect them from dirty purge gas
- On board diagnostics and low TCO(*1) (no moving parts, high MTTF(*2) for components)
- IEC61508 SIL designed & approved, SIL 2 capability for single analyzer use, SIL 3 capability for dual analyzer use

• Intuitive touchscreen HMI

- Large HMI provides easy operation and control of up to 4 analyzers at the same time. A standard mini display at both sides enables easy optical alignment

• HART and Modbus TCP communications standard

• 8-stage auto-gain adapts to difficult applications

- Auto-gain enables wide signal ranges against dynamic variation of transmission.

• Fully field repairable with 50 days of data and spectra storage

• Compact design for one-man installation without sacrificing ruggedness

- IECEx, ATEX, FM (US, Canada), KOSHA, NEPSI, EAC hazardous area approvals based on Nonincendive/Type n or Explosionproof/flame proof.
- Purge gas is no need for explosion protection.

• In-situ or extractive analysis and fast response (2-5 seconds, 1 second (optional))

• Process pressures up to 1 MPa abs. and process temperatures up to 1,500°C (Note)

Note: Maximum process temperatures and pressures will vary by application

- *1: Total Cost of Ownership
- *2: Mean Time To Failure

• 10 language display options

YH8000 offers easy touch screen operation and simple menu structure in 10 languages. Menus of display, execution and setting are displayed in a selected language.

Typical gases measured include:

- Oxygen in process and combustion applications. Process temperatures can be as high as 1,500°C, and process pressures can be as high as 1 MPa abs. Measurement span is typically between 1% and 25% oxygen.
- Carbon monoxide in process and combustion applications. Process temperatures can be as high as 1,500°C. Two versions are available, high sensitivity with ppm detection limits, and standard sensitivity for higher ppm and percent level CO measurement
- Moisture in corrosive and aggressive process streams. Measurement down to the sub-ppm level is available for some applications

Other applications and gas measurements are possible with the TDLS8000. Please fill out the Application Data Sheet at the end of this document and send to Yokogawa.

TDLS is a trademark of Yokogawa Electric Corporation.

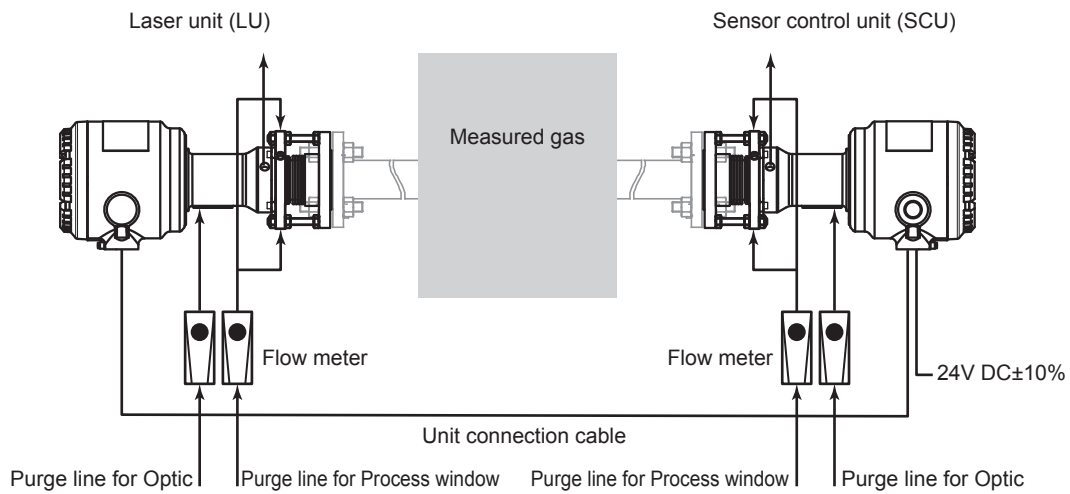
YOKOGAWA ◆

Yokogawa Electric Corporation
2-9-32, Nakacho, Musashino-shi, Tokyo, 180-8750 Japan
Tel.: 81-422-52-5617 Fax.: 81-422-52-6792

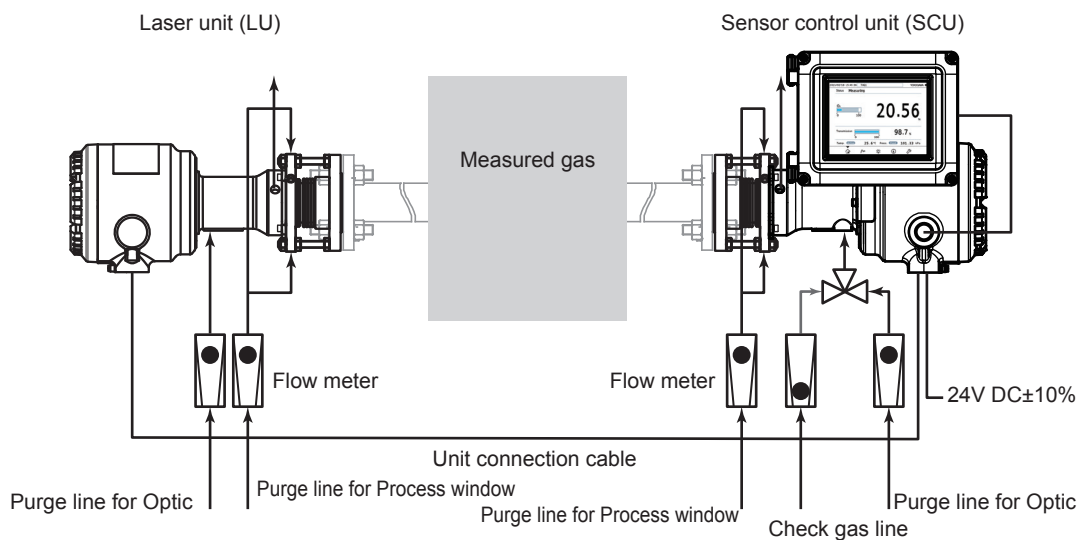
GS 11Y01D01-01EN
©Copyright Apr. 2015
7th Edition July 19, 2017

■ System configuration

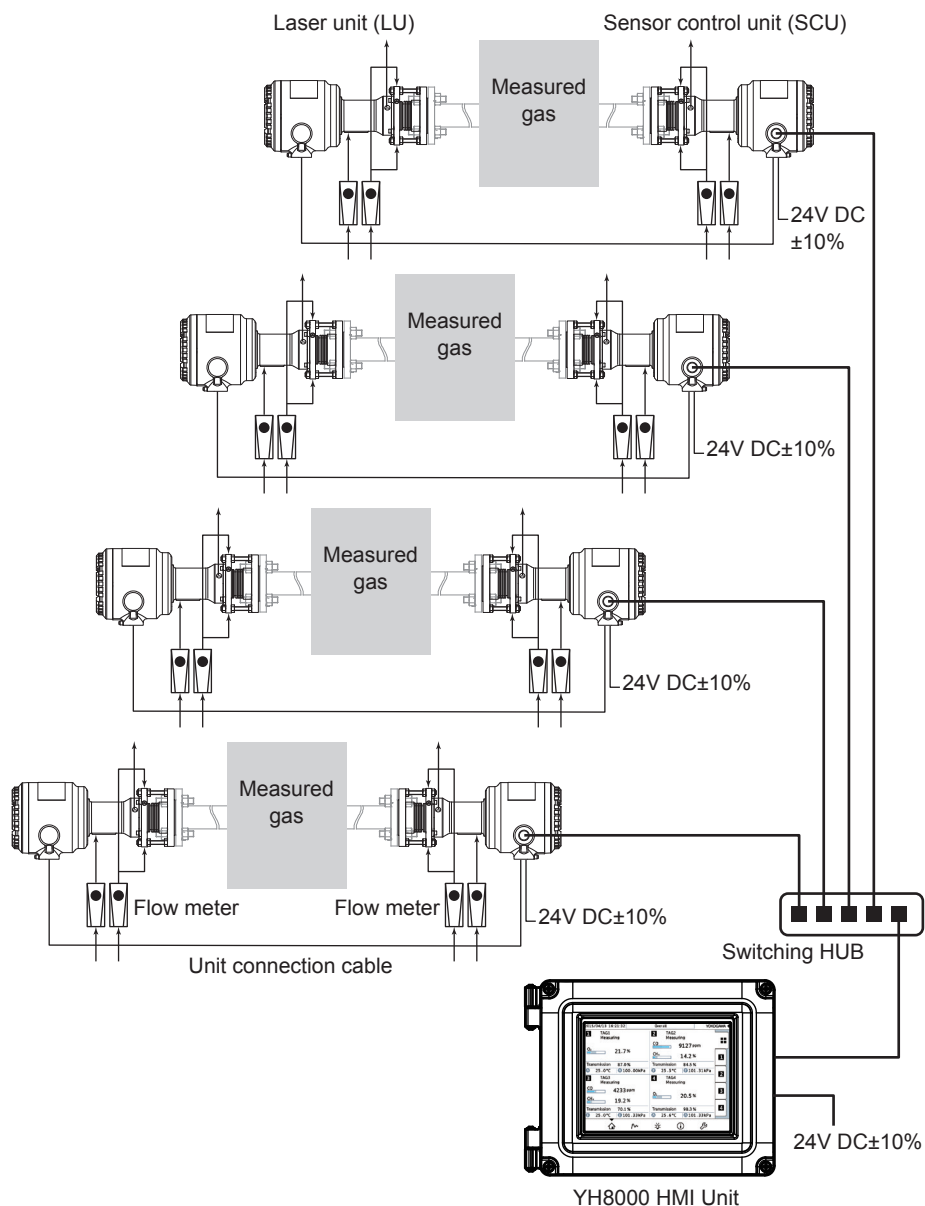
Standard System Configuration



System Configuration with YH8000 HMI Unit and Validation gas line



Multi Analyzer Configuration with Remote HMI



Note: If power supply is 100 to 240 V AC, purchase the Universal Power Supply, separately.
 If four multi analyzer configuration with remote HMI is made, five universal power supply including YH8000 are needed.

■ STANDARD SPECIFICATIONS

TDLS8000 Tunable Diode Laser Spectrometer

Measurement object:

O₂, CO, CO or CH₄, CO₂, CO + CO₂,
H₂O, NH₃, NH₃ + H₂O, H₂S, HCl
concentration in combustion exhaust gas
and process gas
If other gas measurements are required,
consult with Yokogawa

Measurement system:

Tunable diode laser spectroscopy

Light source; Near-infrared tunable diode laser

Measured components and ranges:

Measured component	Min. range	Max. range
O ₂	0-1%	0-25%
CO (ppm)	0-200 ppm	0-10,000 ppm
CO or CH ₄ (*3)	CO	0-200 ppm
	CH ₄	0-10,000 ppm
NH ₃	0-30 ppm	0-5,000 ppm
H ₂ O (ppm) in non HC (*1)	0-30 ppm	0-30,000 ppm
H ₂ O (ppm) in HC (*2)	0-30 ppm	0-30,000 ppm
CO (%)	0-20%	0-50%
CO (%) + CO ₂ (%)	0-30%	0-100%
NH ₃ + H ₂ O	NH ₃	0-30 ppm
	H ₂ O	0-5%
H ₂ S	0-5%	0-100%
CO ₂ (%) High Range	0-1%	0-5%
CO ₂ (%) Extend. Range	0-30%	0-50%
H ₂ O (%)	0-10%	0-100%
HCl	0-50 ppm	0-5,000 ppm

*1: Non hydrocarbon background.

*2: Hydrocarbon background

*3: Please consult with Yokogawa if CO or CH₄
ingredient coexists.

Please consult with Yokogawa if the measuring range
for your sample gas is outside of the above ranges

Optical path length:

Optical distance between the laser unit
and the sensor control unit

Standard; 0.5 to 6 m (Application dependent)

Max; 30 m (With optional Large Aperture
Optics (LAO))

Note: If your optical path length is under 0.5 m or over
30 m, please consult with Yokogawa.

Safety, EMC, and RoHS conformity standards:

Safety conformity standards:

CE EN61010-1, EN61010-2-030

UL UL61010-1, UL 61010-2-030

CSA CAN/CSA-C22.2 No.61010-1, CAN/
CSA-C22.2 No.61010-2-030

GB GB30439 Part 1

Installation altitude: 2000 m or less

Installation category:

I (Anticipated transient overvoltage 330V)

Measuring category: O (Other)

Pollution degree: 2, Indoor/Outdoor use

Note: Installation category, called overvoltage category,
specifies impulse withstand voltage. Pollution
degree indicates the degree of existence of solid,
liquid, gas or other inclusions which may reduce
dielectric strength.

EMC conformity standards:

CE EN55011 Class A Group 1
EN61326-1 Class A Table 2 (For use in
industrial location), EN61326-2-3

RCM EN55011 Class A Group 1

KC KN11 Class A Group 1, KN61000-6-2
(Korea Electromagnetic Conformity)

RoHS conformity standards:

EN50581

Laser classification: CSA E60825-1-03(R2012),
CE EN60825-1:2007, FDA 21CFR part
1040.10, GB7247.1-2012, Class 1 laser
product

SIL Certification: The TDLS8000 expect digital output
(2 points), digital input (2 points), valve
control output (2 points), analog output
(AO-2) and digital communications (HART,
Modbus/TCP) are certified in compliance
with the following standard.
IEC 61508:Functional safety of Electrical/
electronic/programmable electronic
related systems; SIL 2 capability for single
analyzer use, SIL 3 capability for dual
analyzer use.

Display: 128 x 64 dots LCD; On Sensor Control Unit
Status LEDs; 3 on Sensor Control Unit (Green:
Power, Orange: DO, Red: Fault)

4 digit 7-segment LEDs: On Laser Unit

Display items:

LCD on Sensor Control Unit; Gas concentration,
Transmission, Process gas temperature
(AI), Process gas pressure (AI), System
status, Alarm information, System
information (Product serial no., Laser
module serial no., Output signal, IP
address, HART address, Optical path
length, Analyzer internal temperature)

7-segment LEDs on Laser Unit; Transmission

Analog output: 2 points, 4 to 20 mA DC (Isolated from
the power supply and ground, Max. load
resistance 550 Ω)

Output types; Gas concentration, Transmission,
Process gas temperature, Process
gas pressure

Output range; 3.0 to 21.6 mA DC

Digital communications:

HART; On analog output signal 1 (AO-1)

Load resistance; 250 to 550 Ω (Include cable
resistance)

Ethernet; RJ-45 connector in Sensor Control Unit
Protocol; Modbus/TCP

Communication speed; 100 Mbps

Digital output: 2 points, contact rating 24V DC, 1A
DO;

Function: Activate during Warning / Calibration
/ Validation / Warm up / Maintenance
conditions

Contact Specification: Relay contact output
(Isolated from the power supply and
ground), C-contact (NC/NO/COM)

Fault;

Function: Activate during Fault condition or when
the system power is off

Contact Specification: Relay contact output
(Isolated from the power supply and
ground), A-contact (NC/COM)

Valve control output: 2 points

<p>Function; Activate calibration or validation solenoid valves for zero, span or validation gas.</p> <p>Output signal; 24V DC, 500 mA Max. per terminal</p> <p>Alarm:</p> <p>Warning; Gas concentration low, Gas concentration high, Transmission low, Process pressure low, Process pressure high, Process temperature low, Process temperature high, Validation required, Validation failure, Zero calibration error, Span calibration error, Non process alarm, External alarm, Detector signal high, Absorption too high</p> <p>Fault; Laser module temperature low, Laser module temperature high, Laser temperature low, Laser temperature high, Peak center out of range, Reference peak height low, Transmission lost, Reference transmission low, Reference peak height high, Laser unit failure, Laser module error, File access error, E2PROM access error</p> <p>Digital input: 2 points</p> <p>Function; External Alarm/Calibration start/Validation start/Stream switch (Valve control)</p> <p>Contact specification; Zero voltage contact input (Isolated from the power supply and ground)</p> <p>Input signal; Open signal: 100 kΩ or more, Close signal: 200 Ω or less</p> <p>Analog input: 2 points</p> <p>Signal type; 4 to 20 mA DC (Isolated from the power supply and Ground), with selectable powered/unpowered function</p> <p>Input signal range; 2.4 to 21.6 mA DC</p> <p>Input types; Process gas temperature, Process gas pressure</p> <p>Transmitter power supply; 15 V DC or higher (at 20 mA DC) 26 V DC or less (at 0 mA DC)</p> <p>Note: This voltage is generated between the AI terminals of TDLS8000. When calculating the minimum operating voltage for transmitters, consider to allow margins for voltage drop in external wiring.</p> <p>Self-diagnostics:</p> <p>Laser Unit temperature, Sensor Control Unit temperature, Laser temperature, Detector signal level, Memory read/write function, Peak locking condition</p> <p>Calibration:</p> <p>Calibration method; Zero/Span calibration</p> <p>Calibration mode; Manual, Auto (Time initiate, Remote initiate (DI/Modbus)), Semi-Auto (YH8000/HART)</p> <p>Validation:</p> <p>Validation method; Up to 2 points</p> <p>Validation mode; Manual, Auto (Time initiated, Remote initiate (DI/Modbus)), Semi-Auto (YH8000/HART)</p> <p>Power supply: 24V DC +/-10%</p> <p>If your power supply is 100 to 240 V AC, Universal Power Supply, M1276WW (sold separately), is required</p> <p>Power consumption:</p> <p>Max. 20W; TDLS8000 only</p> <p>Max. 60W; TDLS8000 with YH8000 and 2 solenoid valves</p> <p>Protection degree: IP66, Type 4X</p>	<p>Material: Case; Aluminum alloy</p> <p>Wetted materials: 316 SS, BK-7 glass, Teflon encapsulated FKM (O-ring for alignment flange), Silicone (O-ring for LAO)</p> <p>Paint color: Mint green (RAL 190 30 15 or equivalent)</p> <p>Weight:</p> <p>Sensor Control Unit; 8 kg</p> <p>Laser Unit; 8 kg</p> <p>Large Aperture Optics; 14 kg</p> <p>ANSI Class 150-2-RF (Eq.) Alignment Flange; 5 kg/pc</p> <p>ANSI Class 150-3-RF (Eq.) Alignment Flange; 7 kg/pc</p> <p>ANSI Class 150-4-RF (Eq.) Alignment Flange; 9 kg/pc</p> <p>DIN PN16-DN50-A (Eq.) Alignment Flange; 5 kg/pc</p> <p>DIN PN16-DN80-A (Eq.) Alignment Flange; 6 kg/pc</p> <p>JIS 10K-50-FF (Eq.) Alignment Flange; 5 kg/pc</p> <p>JIS 10K-80-FF (Eq.) Alignment Flange; 6 kg/pc</p> <p>Flow Cell Alignment Flange; 5 kg/pc</p> <p>Process gas condition:</p> <p>Process gas temperature; Max. 1,500°C, Application dependent</p> <p>Process gas pressure; Max. 1 MPa abs., Min. 90 kPa abs., Application dependent Max. 15 kPa G with LAO unit</p> <p>Note: When using TDLS8000 as CE marking compliance product, it has following limitation.</p> <p>General purpose model (-G1, -G2): The upper limit of the measurement gas pressure is 50kPa in gauge pressure.</p> <p>ATEX model (-S1, -S2): The upper limit of the measurement gas pressure is 500kPa abs. The unstable gas defined by following cannot be measured.</p> <p>An unstable gas in this context is a gas liable to transform itself spontaneously, producing a sudden pressure increase. Such transformation as an example can result from a relatively small variation of an operating parameter (e.g. pressure, temperature, presence of catalyzing material) in a confined volume. This includes gases that are classified as chemically unstable gases according to CLP Regulation (EC) No 1272/2008 as amended. Typical examples of unstable gases: acetylene (UN 1001), methyl acetylene (UN 1060), vinylfluoride (UN 1860), ozone and dinitrogen oxide (UN 1067). For further examples, see Table 35.1 of the UN Manual of Tests and Criteria.</p> <p>Dust in process gas; 20 g/m³ or less (Dust loading levels are dependent upon the application, OPL and other installation factors)</p> <p>Warm-up time: 5 min.</p> <p>Installation condition:</p> <p>Ambient operating temperature; -20 to 55°C</p> <p>Storage temperature; -30 to 70°C</p> <p>Humidity; 0 to 95%RH at 40°C (Non-condensing)</p> <p>Mounting flange type; ASME B16.5, DIN, JIS</p> <p>Cable entries;</p> <p>Sensor Control Unit: 1/2NPT or M20x1.5mm, one hole 3/4NPT or M25x1.5mm, three holes</p> <p>Laser Unit: 3/4 NPT or M25x1.5mm, one hole</p> <p>Purge gas connections; 1/4NPT or Rc1/4 If other gas connections are required, please consult with Yokogawa.</p>
---	---

Purge gas; Theoretically, instrument air could be used as a purge gas for all of the below applications except for oxygen or H₂O measurement. Choosing between using nitrogen or instrument air or purge gas will ultimately depend upon further application details and the desired precision of the measurement. All gasses should be clean and dry.

Recommended purge gasses:

O₂ analyzer: N₂ (99.99% or greater, application dependent)

H₂O ppm analyzer: N₂ (99.99% or greater with < 20 ppm H₂O for feed to the optional dryer package)

CO, CO or CH₄, CO₂, CO + CO₂, NH₃, NH₃ + H₂O, H₂S, HCl analyzer: N₂ (99.99% or greater, application dependent) or Instrument air

Purge gas flow rates; 2 to 20 L/min for optic, 2 to 20 L/min and 140 to 160 mL/min for Div 1, Zone 1 Type, 5 to 30 L/min for process window (Application dependent)

Hazardous area classifications:

Division 1, Zone 1: Explosionproof

TDLS8000-D1 (FM Approval for US)

Division system:

Type of protection: Explosionproof for Class I, Division 1, Groups A, B, C, D, T5
Dust-Ignitionproof for Class II/III, Division 1, Groups E, F, G, T5

Enclosure rating: Type4X

Applicable standards:

FM Class 3600: 2011, FM Class 3615: 2006, FM Class 3616: 2011, FM Class 3810: 2005, NEMA 250: 2003

Zone system:

Type of protection: Class I, Zone 1, AEx d IIC T5
Zone 21, AEx tb IIIC T100°C

Enclosure rating: IP66

Applicable standards:

ANSI/ISA 60079-0-2013
ANSI/ISA 60079-1-2013,
ANSI/ISA 60079-31-2015
ANSI/IEC 60529-2004 (R2011)

TDLS8000-C1 (FM Approval for Canada)

Type of protection: Ex d IIC T5 Gb

Class II/III, Division 1, Groups E, F, G, T5
Ex tb IIIC T100 °C, Db

Enclosure rating: IP66, Type4X

Applicable standards:

CAN/CSA-C22.2 NO. 0-10 (R2015)
CAN/CSA-C22.2 NO. 0.4-04 (R2013)
C22.2 NO. 0.5-1982 (R2012)
C22.2 NO.25-1966 (R2014)
C22.2 NO.94.2-07 (R2012)
CAN/CSA-C22.2 NO. 60079-0:15
CAN/CSA-C22.2 NO. 60079-1:11
CAN/CSA-C22.2 NO. 60079-31:15
CAN/CSA-C22.2 NO. 60529-05 (R2015)
CAN/CSA-C22.2 NO. 61010-1-12
CAN/CSA-C22.2 NO. 61010-2-030-12
ANSI/ISA 12.27.01-2011

TDLS8000-S1 (ATEX)

Type of protection: II 2(1) G Ex d [op is T6 Ga]
IIC T5 Gb

II 2 D Ex tb IIIC T100 °C Db

Enclosure rating: IP66 (In Accordance with EN 60529)

Applicable standards:

EN 60079-0:2012+A11:2013,
EN 60079-1:2007, EN 60079-28:2015,
EN 60079-31:2014,

TDLS8000-E1 (IECEX)

Type of protection: Ex d [op is T6 Ga] IIC T5 Gb
Ex tb IIIC T100°C Db

Enclosure rating: IP66 (In Accordance with IEC 60529)

Applicable standards:

IEC 60079-0:2011, IEC 60079-1:2007-04,
IEC 60079-28:2015, IEC 60079-31:2013

TDLS8000-Q1, -R1 (EAC)

Type of protection: 1Ex d [op is T6 Ga] IIC T5 Gb X
Ex tb IIIC T100 °C Db X

Enclosure rating: IP66 (In accordance with GOST 14254-96)

Applicable standards: GOST R IEC 60079-0-2011

GOST IEC 60079-1-2011

GOST 31610.28-2012

GOST IEC 60079-31-2013

Division 2, Zone 2: Nonincendive/Type n

TDLS8000-D2 (FM Approval for US)

Division system:

Type of protection: Nonincendive for Class I, Division 2, Groups A, B, C, D, T5
Dust-Ignitionproof for Class II/III, Division 1, Groups E, F, G, T5

Enclosure rating: Type 4X

Applicable standards:

FM Class 3600: 2011, FM Class 3611: 2004, FM Class 3616: 2011, FM Class 3810: 2005 NEMA 250: 2003

Zone system:

Type of protection: Class I, Zone 2, AEx nA nC IIC T5
Zone 21, AEx tb IIIC T100°C

Enclosure Rating: IP66

Applicable standards:

ANSI/ISA-60079-0-2013, ANSI/ISA-60079-15-2012, ANSI/ISA-60079-31-2015, ANSI/IEC 60529-2004 (R2011)

TDLS8000-C2 (FM Approval for Canada)

Type of protection: Ex nA nC IIC T5

Class II/III, Division 1, Groups E, F, G

Enclosure rating: IP66, Type 4X

Applicable standards:

CAN/CSA-C22.2 No.0-10 (R2015),
CAN/CSA-C22.2 No.25-1966 (R2014),
CAN/CSA-C22.2 No.94.1-07 (R2012),
CAN/CSA-C22.2 No.94.2-07 (R2012),
CAN/CSA-C22.2 No.60079-0:11,
CAN/CSA-C22.2 No.60079-15:12,
CAN/CSA-C22.2 No.61010-1-12,
CAN/CSA-C22.2 No.61010-2-030-12,
CAN/CSA-C22.2 No.60529-05 (R2010)
ANSI/ISA-12.27.01-2011

TDLS8000-S2 (ATEX)

Type of protection: II 3(1) G Ex nA nC [op is T6 Ga] IIC T5 Gc

II 2 D Ex tb IIIC T100 °C Db

Enclosure rating: IP66 (In accordance with EN 60529)
 Applicable standards:
 EN 60079-0: 2012+A11: 2013,
 EN 60079-15: 2010, EN 60079-28: 2007,
 EN 60079-28: 2015, EN 60079-31: 2014

TDLS8000-E2 (IECEX)

Type of protection: Ex nA nC [op is T6 Ga] IIC T5 Gc
 Ex tb IIIC T100°C Db
 Enclosure rating: IP66 (In accordance with IEC 60529)

Applicable standards:
 IEC 60079-0: 2011, IEC 60079-15: 2010,
 IEC 60079-28: 2015, IEC 60079-31: 2013

TDLS8000-K2 (KOSHA)

Type of protection: Ex nA nC IIC T5
 Ex tD A21 T100 °C
 Enclosure rating: IP66 (In accordance with IEC 60529)

Applicable standards:
 Notice of Ministry of Labor No. 2013-54
 Harmonized with IEC 60079-0: 2011,
 IEC 60079-15: 2010, IEC 60079-28:
 2015, IEC 60079-31: 2013

TDLS8000-N2 (NEPSI)

Type of protection: Ex nA nC [op is T6 Ga] IIC T5 Gc
 Ex tD A21 IP66 T100°C
 Enclosure rating: IP66 (In accordance with GB 4208)

Applicable standards:
 GB 3836.1-2010, GB 3836.8-2014,
 GB 12476.1-2013, GB 12476.5-2013,
 IEC 60079-28:2015

TDLS8000-Q2, -R2 (EAC)

Type of protection: 2Ex nA nC [op is T6 Ga] IIC T5 Gc X
 Ex tb IIIC T100 °C Db X
 Enclosure rating: IP66 (In accordance with GOST 14254-96)
 Applicable standards: GOST R IEC 60079-0-2011
 GOST R IEC 60079-15-2010
 GOST 31610.28-2012
 GOST IEC 60079-31-2013

PERFORMANCE

Repeatability / Linearity:

Measured gas		Repeatability	Linearity
O ₂		+/- 1% reading or +/- 0.01 %O ₂ , whichever is greater	+/- 1% F.S.
CO (ppm)		+/- 2% reading or +/- 1 ppm CO, whichever is greater	+/- 1% F.S.
CO or CH ₄	CO	+/- 2% reading or +/- 1 ppm CO, whichever is greater	+/- 2% F.S.
	CH ₄	+/- 4% reading or +/- 0.02% CH ₄ , whichever is greater	+/- 4% F.S.
NH ₃		+/- 2% reading or +/- 1 ppm NH ₃ , whichever is greater	+/- 2% F.S.
H ₂ O (ppm) in non HC		+/- 2% reading or +/- 0.1 ppm H ₂ O, whichever is greater	+/- 1% F.S.
H ₂ O (ppm) in HC		+/- 2% reading or +/- 0.1 ppm H ₂ O, whichever is greater	+/- 1% F.S.
CO (%)		+/- 1% reading or +/- 0.01% CO, whichever is greater	+/- 1% F.S.

CO (%) + CO ₂ (%)	CO	+/- 1% reading or +/- 0.1% CO, whichever is greater	+/- 1% F.S.
	CO ₂	+/- 1% reading or +/- 0.1% CO ₂ , whichever is greater	+/- 1% F.S.
NH ₃ + H ₂ O	NH ₃	+/- 2% reading or +/- 1 ppm NH ₃ , whichever is greater	+/- 2% F.S.
	H ₂ O	+/- 4% reading or +/- 0.05% H ₂ O, whichever is greater	+/- 2% F.S.
H ₂ S		+/- 1% reading or +/- 0.005% H ₂ S, whichever is greater	+/- 1% F.S.
CO ₂ (%) High Range		+/- 1% reading or +/- 0.005% CO ₂ , whichever is greater	+/- 1% F.S.
CO ₂ (%) Extend. Range		+/- 1% reading or +/- 0.02% CO ₂ , whichever is greater	+/- 1% F.S.
H ₂ O (%)		+/- 1% reading or +/- 0.004% H ₂ O, whichever is greater	+/- 1% F.S.
HCl		+/- 1% reading or +/- 2.5 ppm HCl, whichever is greater	+/- 2% F.S.

Measurement conditions: Gas temperature; 25 °C, Gas pressure; 0.1 MPa, Optical path length; 1 m

Data Update Cycle:

Standard; Approx. 2 seconds (Response time may increase for non-standard applications)

If less than 2 seconds response is required, please consult with Yokogawa

Zero Drift: Typically <0.1% of the minimum range over 24 months

Influences on the Measurement - Application dependent

A. Temperature: The temperature of the measured gas should be taken into account by the analyzer so that the reading can be corrected on a real time basis. The effect is specific to each different measurement gas.

a. If the gas temperature is constant at the desired measurement condition, then a fixed gas temperature may be programmed into the analyzer. This fixed value can be used in real time by the analyzer to provide a temperature-compensated reading.

b. If the gas temperature is relatively equal to the ambient temperature, then an integral sensor value may be utilized by the analyzer. This active ambient value is used real time by the analyzer to provide a temperature compensated reading.

c. If the gas temperature is variable, then an external sensor value may be utilized by the analyzer. This active input value can be used in real time by the analyzer to provide a temperature compensated reading.

B. Pressure: The pressure of the measured gas must be taken into account by the analyzer so that the reading can be corrected on a real time basis. The effect is specific to each different measurement gas.

a. If the gas pressure is constant at the desired measurement condition, then a fixed gas pressure may be programmed to the analyzer. This fixed value can be used in real time by the analyzer to provide a pressure compensated reading.

- b. If the gas pressure is variable, then an external sensor value may be utilized by the analyzer. This active input value can be used in real time by the analyzer to provide a pressure compensated reading.

● YH8000 HMI Unit

The YH8000 is an HMI designed specifically for the TDLS8000. The YH8000 features an easy-to-use touchscreen 7.5 inch color LCD which can be used to display maintenance information, display alarm statuses and records, and set all parameters of the TDLS8000.

The YH8000 can be installed directly on the TDLS8000 or installed remotely.

An Ethernet connection is used to connect the YH8000 to up to four TDLS8000s simultaneously via a hub.

Display: Touchscreen 7.5 inch TFT color LCD panel, 640 x 480 (VGA)
 Communication: Ethernet; RJ-45 connector
 Communication speed; 100 Mbps
 Case: Aluminum alloy
 Paint color: Mint green (RAL 190 30 15 or equivalent)
 Protection degree of enclosure: IP65, Type 4X
 Window: Polycarbonate
 Weight: 4 kg
 Mounting: Analyzer mount (Front, left-side, right-side) with tilt function, Pipe mount, or Panel mount (Stainless steel)
 Cable Entries: 1/2NPT or M20x1.5 mm, two holes
 Installation conditions:
 Ambient operating temperature; -20 to 55°C
 Storage temperature: -30 to 70°C
 Humidity: 10 to 90%RH at 40°C (Non-condensing)
 Power Supply: 24V DC +/-10%
 Power consumption: Max.12 W
 Safety, EMC, and RoHS conformity standards:
 Safety conformity standards:
 CE EN61010-1
 UL UL61010-1
 CSA CAN/CSA-C22.2 No.61010-1
 GB GB30439 Part 1
 Installation Altitude: 2000 m or less
 Installation category: I
 (Anticipated transient overvoltage 330 V)
 Pollution degree: 2, Indoor/Outdoor use
 EMC conformity standards:
 CE EN55011 Class A Group 1
 EN61326-1 Class A Table 2 (For use in industrial location)
 RCM EN55011 Class A Group 1
 KC KN11 Class A Group 1, KN61000-6-2 (Korea Electromagnetic Conformity)
 RoHS conformity standards:
 EN50581

Hazardous area classifications:

Division 2, Zone2: Nonincendive/Type n

YH8000-D2 (FM Approval for US)

Division system

Type of protection: Nonincendive for Class I,

Division 2, Groups A, B, C, D, T5

Enclosure rating: Type 4X

Applicable standards: FM Class 3600: 2011, FM Class 3611: 2004, FM Class 3810: 2005, NEMA 250: 2003

Zone system

Type of protection: Class I, Zone 2, AEx nA ic IIC T5

Enclosure rating: IP65

Applicable standards: ANSI/ISA-60079-0-2013, ANSI/ISA-60079-11-2014, ANSI/ISA-60079-15-2012, ANSI/IEC 60529-2004 (R2011)

YH8000-C2 (FM Approval for Canada)

Type of protection: Ex nA nL IIC T5

Enclosure rating: IP65, Type 4X

Applicable standards:

CAN/CSA-C22.2 No. 0-10 (R2015),
 CAN/CSA-C22.2 No. 94.1-07 (R2012),
 CAN/CSA-C22.2 No. 94.2-07 (R2012),
 CAN/CSA-C22.2 No.60079-0:11,
 CAN/CSA-C22.2 No.60079-15:12,
 CAN/CSA-C22.2 No.61010-1-12,
 CAN/CSA No. 60529-5 (2010)

YH8000-S2 (ATEX)

Type of protection: II 3 G Ex nA ic IIC T5 Gc

Enclosure rating: IP65 (In accordance with EN 60529)

Applicable standards: EN 60079-0: 2012+A11: 2013, EN 60079-11: 2012, EN 60079-15: 2010

YH8000-E2 (IECEX)

Type of protection: Ex nA ic IIC T5 Gc

Enclosure rating: IP65 (In accordance with IEC 60529)

Applicable standards: IEC 60079-0: 2011, IEC 60079-11: 2011, IEC 60079-15: 2010

YH8000-K2 (KOSHA)

Type of protection: Ex nA nL IIC T5

Enclosure rating: IP65 (In accordance with IEC 60529)

Applicable standards: Notice of Ministry of Labor No. 2013-54 Harmonized with IEC60079-0: 2011, IEC 60079-11: 2011, IEC 60079-15:2010

YH8000-N2 (NEPSI)

Type of protection: Ex nA ic IIC T5 Gc

Enclosure rating: IP65 (In accordance with GB 4208)

Applicable standards: GB 3836.1-2010, GB 3836.4-2010, GB 3836.8-2014

YH8000-R2 (EAC)

Type of protection: 2Ex nA ic IIC T5 Gc X

Enclosure rating: IP65 (In accordance with GOST 14254-96)

Applicable standards: GOST R IEC 60079-0-2011 GOST R IEC 60079-15-2010

● IF8000 Isolation Flanges

A process isolation flange protects the TDLS8000 from the process gas pressure and the heat, dust, and corrosive elements of the process gas. A process isolation flange must be installed in the following situations.

- When the process gas pressure exceeds 500 kPa

- When the process temperature is high and the temperature of the process window area exceeds 55°C even when process window purge is performed.
- When the process dust level is high and the adherence of dust or intrusion of corrosive elements cannot be prevented even when process window purge is performed.

The IF8000 isolation flanges can be used for additional protection in in-situ or bypass installations.

Note: Must use in conjunction with alignment flanges

Process connections: (see below table)

Heatresistance temperature: 200°C max

Measured gas pressure: Max. 1 MPa abs.

Wetted materials: Sapphire, 316 SS, Monel 400, Kalrez (O-ring)

Weight;

Process connection	Analyzer connection	Weight	
		316SS	Monel 400
ANSI Class 150-2-RF Flange	ANSI Class 150-2-RF Flange	5 kg/pc	6 kg/pc
ANSI Class 300-2-RF Flange		7 kg/pc	7 kg/pc
ANSI Class 150-3-RF Flange		8 kg/pc	9 kg/pc
ANSI Class 300-3-RF Flange		11 kg/pc	12 kg/pc
ANSI Class 150-4-RF Flange		12 kg/pc	14 kg/pc
DIN PN16-DN50 Flange	DIN PN16-DN50 Flange	7 kg/pc	7 kg/pc
DIN PN16-DN80 Flange		10 kg/pc	11 kg/pc
JIS 10K-50-FF Flange		7 kg/pc	7 kg/pc
JIS 10K-80-FF Flange		9 kg/pc	10 kg/pc

Note: When using TDLS8000 as CE marking compliance product, the upper limit of the measurement gas pressure is 50kPa in gauge pressure.

• YC8000 Flow Cell

Used for extracting sample streams at any location.

Note: Must use in conjunction with alignment flanges ("FC")

Gas temperature: 200°C max

Gas pressure: Max. 1 MPa abs.

Wetted materials: Sapphire, 316 SS, Monel 400, Kalrez (O-ring)

Weight;

Material/Optical Path Length	1016 mm (40 inch)	1524 mm (60 inch)
Monel 400	15 kg	18 kg
316 SS	14 kg	17 kg

Note: When using TDLS8000 as CE marking compliance product, the upper limit of the measurement gas pressure in YC8000 is 50kPa in gauge pressure.

• Calibration Cell

Used for off-line calibrations and validations. Appropriate process windows are included on calibration cell.

Optical Path Length: 660 mm

Material: 316 SS

Part No.	Description	Weight
K9772XA	Calibration Cell with free-standing frame for O ₂	14 kg
K9772XB	Calibration Cell with free-standing frame for O ₂ LAO	
K9772XC	Calibration Cell with free-standing frame for ppm H ₂ O in non- hydrocarbon	
K9772XD	Calibration Cell with free-standing frame for NH ₃	
K9772XE	Calibration Cell with free-standing frame for ppm H ₂ O in hydrocarbon background	
K9772XF	Calibration Cell with free-standing frame for ppm CO	
K9772XG	Calibration Cell with free-standing frame for ppm CO LAO	
K9772XH	Calibration Cell with free-standing frame for CO (%) + CO ₂ (%), CO ₂ (%) Extend. Range	
K9772XJ	Calibration Cell with free-standing frame for HCl	
K9772XL	Calibration Cell with free-standing frame for CO(%), CO ₂ (%) High Range	
K9772XM	Calibration Cell with free-standing frame for H ₂ S	

Note: When using TDLS8000 as CE marking compliance product, the upper limit of gas pressure in calibration cell is 50kPa in gauge pressure.

- **Unit Connection Cable**

Use for interconnecting the Sensor Control Unit and the Laser Unit.

Construction: Double-shielded (Overall shield and Individual shields) 4-pair cable

Part No.	Cable length
K9775XA	5 m
K9775XB	10 m
K9775XC	20 m
K9775XD	30 m
K9775XE	40 m
K9775XF	50 m
K9775XG	60 m

Note: Inter-unit cable for previous model TDLS200, if the length is 25 m or over, is not compatible.

MODEL AND CODES

TDLS8000 Tunable Diode Laser Spectrometer

Model	Suffix Code	Option Code	Description
TDLS8000	Tunable Diode Laser Spectrometer
Type	-G1 -G2 -GQ -GR -D2 -C2 -S2 -E2 -K2 -N2 -Q2 -R2 -D1 -C1 -S1 -E1 -J1 -Q1 -R1	General Purpose, cable entry/piping:NPT General Purpose, cable entry:Metric thread, piping:Rc EAC with PA General Purpose, cable entry:Metric thread, piping:Rc EAC General Purpose, cable entry:Metric thread, piping:Rc FM (US) Class I Div 2, Zone2, cable entry/piping:NPT FM (Canada) Class I Zone2, cable entry/piping:NPT ATEX Type of protection "n", cable entry:Metric thread, piping:Rc IECEx Type of protection "n", cable entry:Metric thread, piping:Rc KOSHA Type of protection "n", cable entry:Metric thread, piping:Rc NEPSI Type of protection "n", cable entry:Metric thread, piping:Rc EAC with PA Type of protection "n", cable entry:Metric thread, piping:Rc EAC Type of protection "n", cable entry:Metric thread, piping:Rc FM (US) Class I Div 1, Zone1, cable entry/piping:NPT FM (Canada) Class I Zone1, cable entry/piping:NPT ATEX Flameproof "d", cable entry:Metric thread, piping:Rc IECEx Flameproof "d", cable entry:Metric thread, piping:Rc TIIS Ex / Zone 1, cable entry:Metric thread, piping:Rc (*14) EAC with PA Flameproof "d", cable entry:Metric thread, piping:Rc EAC Flameproof "d", cable entry:Metric thread, piping:Rc
Gas Parameter	-X1 -X2 -C1 -C2 -C3 -C4 -C5 -A1 -A2 -S1 -D1 -D5 -H1 -H3 -H4 -L1	O ₂ < 600°C, 0-25% (*12) O ₂ < 1500°C, 0-25% Combustion CO (%) 0-20%/0-50% <500°C (*13) CO ppm 0-200ppm/0-10,000ppm <500°C (*9) (*13) CO ppm <1500°C Combustion (*9) CO ppm <1500°C or CH ₄ 0-5% Combustion (*9) CO (%) + CO ₂ (%) 0-30%/0-100% <150°C (*13) NH ₃ up to 0-5,000ppm <450°C DeNO _x NH ₃ 0-30ppm/0-5,000ppm + H ₂ O 0-5%/0-50% <400°C (*13) H ₂ S 0-5%/0-100% <100°C (*13) CO ₂ High Range 0-1%/0-5% <100°C (*13) CO ₂ Extend. Range 0-30/0-50% <150°C (*13) H ₂ O ppm non-Hydrocarbon Background (*1) H ₂ O ppm Hydrocarbon Background (*1) H ₂ O 0-10%/0-100% <500°C (*13) HCl 0-50ppm/0-5,000ppm <500°C (*13)
Optics Accessory	-NN -LA -U2 -U3 -U4 -D5 -D8 -J5 -J8 -FC	Without Alignment Flanges (*2) Large Aperture Optics, ANSI CLASS150-4-RF (*3) (*4) (*8) (*11) ANSI CLASS150-2-RF(Eq.) Alignment Flange, piping: NPT ANSI CLASS150-3-RF(Eq.) Alignment Flange, piping: NPT ANSI CLASS150-4-RF(Eq.) Alignment Flange, piping: NPT DIN PN16-DN50-D(Eq.) Alignment Flange, piping: Rc DIN PN16-DN80-D(Eq.) Alignment Flange, piping: Rc JIS 10K-50-FF(Eq.) Alignment Flange, piping: Rc JIS 10K-80-FF(Eq.) Alignment Flange, piping: Rc Flow Cell Alignment Flange (*4)
I/O Interface	-A1	Analog with HART+Modbus Ethernet
SI Unit	-J -N	Only SI Unit SI Unit or non SI Unit (*10)
—	-N	Always -N
Option	/D /RX /RC /SCT	Diverging Beam without LAO (*5) Reference Cell for O ₂ (*6) Reference Cell for CO (*7) Stainless Steel Tag Plate

*1: When "-H1" or "-H3" is selected, TIIS is not available.

*2: When "-NN" is selected, Zone2/Div2/Type of protection "n", FM (Canada) Zone1 is not available.

*3: When "-LA" is selected, Zone1/Div.1/Flameproof "d" is not available.

*4: When FM (US) or FM (Canada) is specified, the connecting port for window purge is 1/4NPT.

When ATEX, IECEx, TIIS, KOSHA, NEPSI, or EAC is specified, the connecting port for window purge is Rc1/4.

*5: The Option "/D" can be selected when Large Aperture Optics "-LA" of the Optics Accessory is not specified and Oxygen or CO (-C2, -C3, -C4) analyzer is selected.

*6: The Option "/RX" can be used when Oxygen analyzer is selected. When both "-X2" of the Gas Parameter and "-LA" of the Optics Accessory are selected, "/RX" must be specified.

*7: The Option "/RC" can be used when CO analyzer is selected. When both "-C3" or "-C4" of the Gas Parameter is selected, "/RC" must be specified.

*8: For applications whose optical path length is 6 m or longer, select the "-LA". A condensing lens unit (LAO unit) is added to the SCU side.

- *9: When CO or CH₄ ingredient coexist, please contact with YOKOGAWA.
 *10: An end user is available for case choice except Japan.
 *11: "-LA" can be selected when Oxygen or CO (-C2, -C3, -C4) analyzer is selected.
 *12: When the process gas pressure is out of 90 to 130 kPa (abs.), please contact with YOKOGAWA.
 *13: Neither Type"-Q1" nor "-R1" is available.
 *14: Pending.

● YH8000 HMI Unit

Model	Suffix Code	Option Code	Description
YH8000	HMI Unit
Type	-G1 -G2 -GR -D2 -C2 -S2 -E2 -J2 -K2 -N2 -R2	General Purpose, NPT thread for cable entry General Purpose, Metric thread for cable entry EAC General Purpose, Metric thread for cable entry FM (US) Class I Div 2, Zone2, NPT thread for cable entry FM (Canada) Class I Zone2, NPT thread for cable entry ATEX Type of protection "n", Metric thread for cable entry IECEX Type of protection "n", Metric thread for cable entry TIIS Ex / Zone 2, Metric thread for cable entry (*2) KOSHA Type of protection "n", Metric thread for cable entry NEPSI Type of protection "n", Metric thread for cable entry EAC Type of protection "n", Metric thread for cable entry
Language	-E	English and 9 languages (*1)
—	-N	Always -N
Option		/M /P /W /S /C /SCT	Mounting kit for TDLS8000 Pipe mount Wall mount Sun Shield Local HMI connection cable: 3m Stainless Steel Tag Plate

- *1: These languages are message languages on the display.
 One analyzer has English and 9 languages.
 All languages are as follows; English, German, French, Spanish, Portuguese, Russian, Hungarian, Korean, Chinese and Japanese.
 *2: Pending.

● IF8000 Isolation Flanges

Model	Suffix Code	Option Code	Description
IF8000	Isolation Flange for TDLS8000 (2pcs/unit) (*1)
Process Connection (*2)	-21 -23 -31 -33 -41 -50 -80 -J5 -J8	ANSI CLASS150-2-RF(Eq.) ANSI CLASS300-2-RF(Eq.) ANSI CLASS150-3-RF(Eq.) ANSI CLASS300-3-RF(Eq.) ANSI CLASS150-4-RF(Eq.) DIN PN16-DN50-D(Eq.) DIN PN16-DN80-D(Eq.) JIS 10K-50-FF(Eq.) JIS 10K-80-FF(Eq.)
Analyzer Connection (*3)	-21 -50	ANSI CLASS150-2-RF(Eq.) DIN PN16-DN50-D(Eq.)
Material	-MN -SS	Monel 400 316/316L SS
Sapphire Window Type	-12 -13 -14 -15 -16 -17 -18 -20	Coated for O ₂ (-X1, -X2) Coated for ppmH ₂ O non Hydrocarbon background (-H1) Coated for ppmNH ₃ (-A1, -A2) Coated for ppmH ₂ O Hydrocarbon background (-H3) Coated for ppmCO (-C2, -C3, -C4) Coated for %CO or %CO ₂ (-C5, -D5) Coated for HCl (-L1) Coated for -C1, -D1, -H4, -S1
—	-N	Always -N

- *1: IF8000 is delivered with two sets (for LU and SCU).
 *2: When ANSI flange of the Process Connection is selected, the "-21" of Analyzer Connection must be specified.
 When DIN or JIS of the Process Connection is selected, the "-50" of Analyzer Connection must be specified.
 *3: The Analyzer Connection must be selected according to the flange size of TDLS8000.

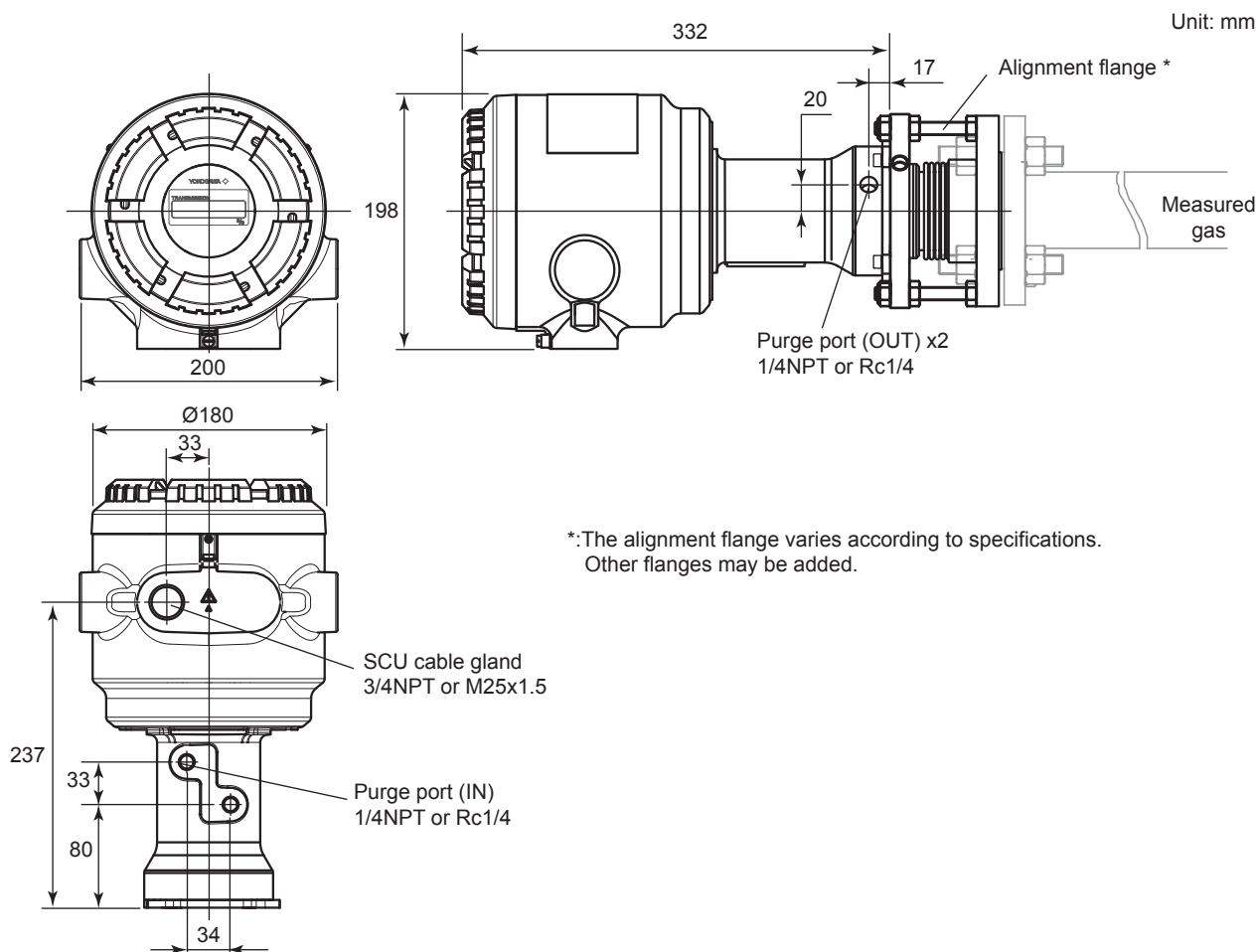
- YC8000 Flow Cell

Model	Suffix Code	Option Code	Description
YC8000			Flow Cell for TDLS8000
Flow Cell Type	-EN		Enhanced
Optical Path Length	-40 -60		Forty Inches Sixty Inches
Material	-MN -SS		Monel 400 316/316L SS
Port Configuration	-3		3 ports
Window Type	-XX -H3 -HH -NH -CC -C2 -HC -MC		Oxygen (-X1, -X2) Moisture Hydrocarbon background (-H3) Moisture non Hydrocarbon background (-H1) NH ₃ (-A1, -A2) ppmCO (-C2, -C3, -C4) CO%+CO ₂ % (-C5, -D5) HCl (-L1) -C1, -D1, -H4, -S1
Inside Wall Treatment	-NN -EP		No treatment (cleaned) Electro-polish
		-N	Always -N

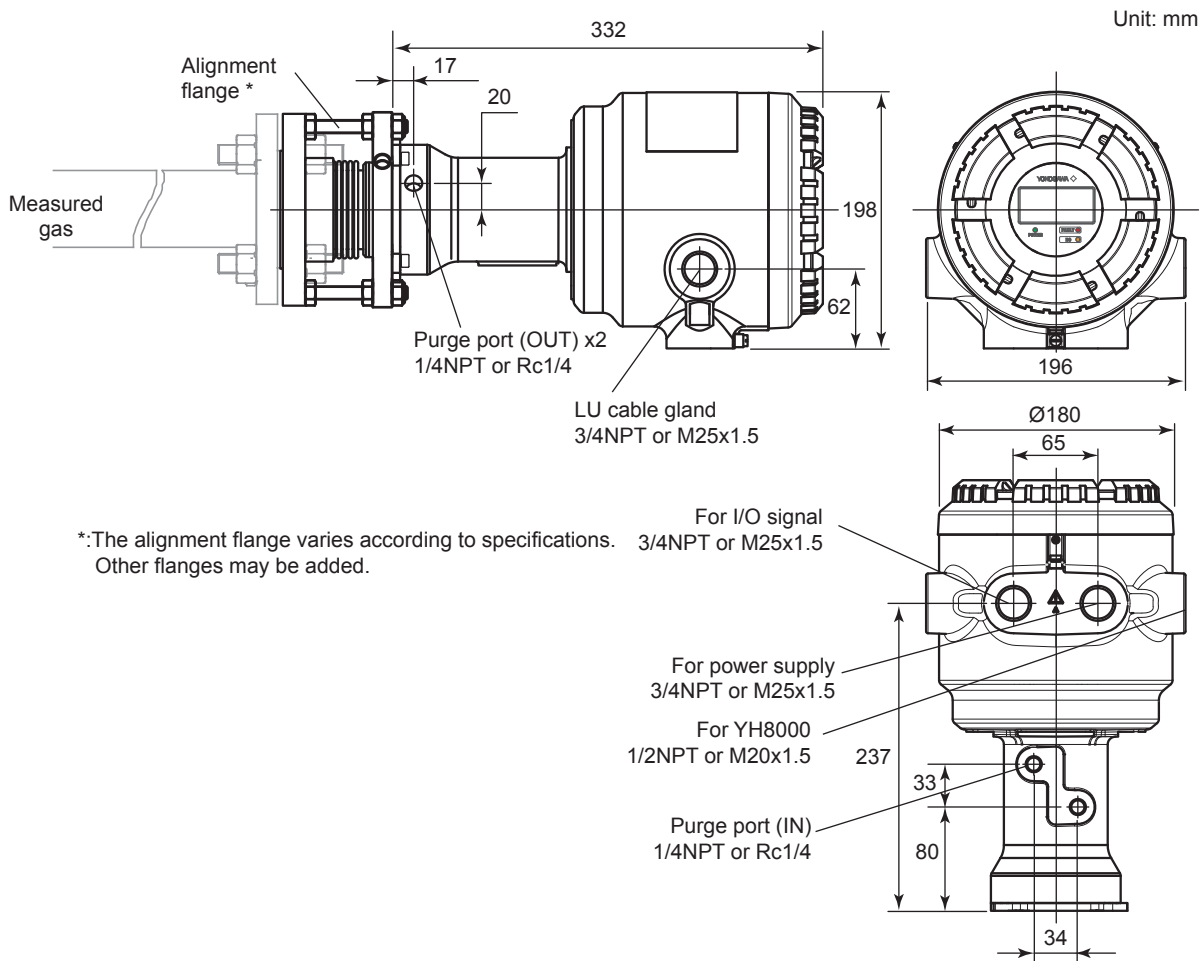
EXTERNAL DIMENSIONS

TDLS8000 with Alignment Flange

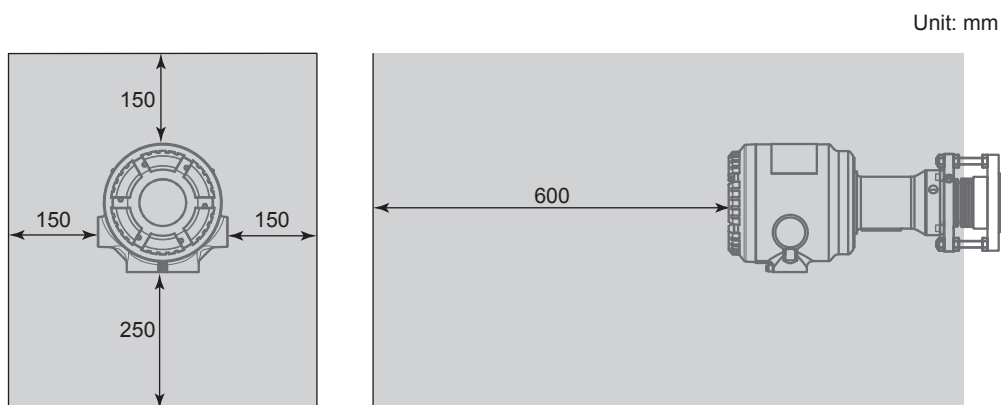
- LU



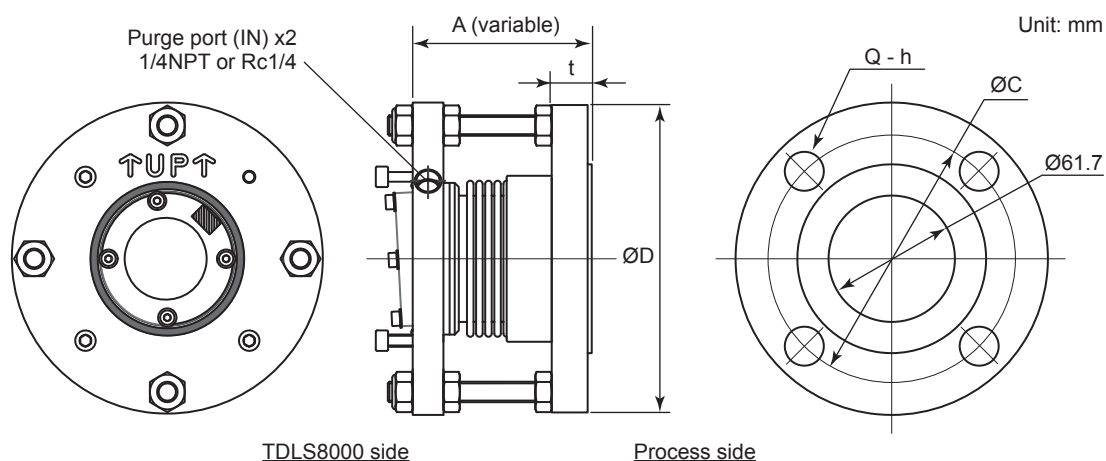
• SCU



• Maintenance space



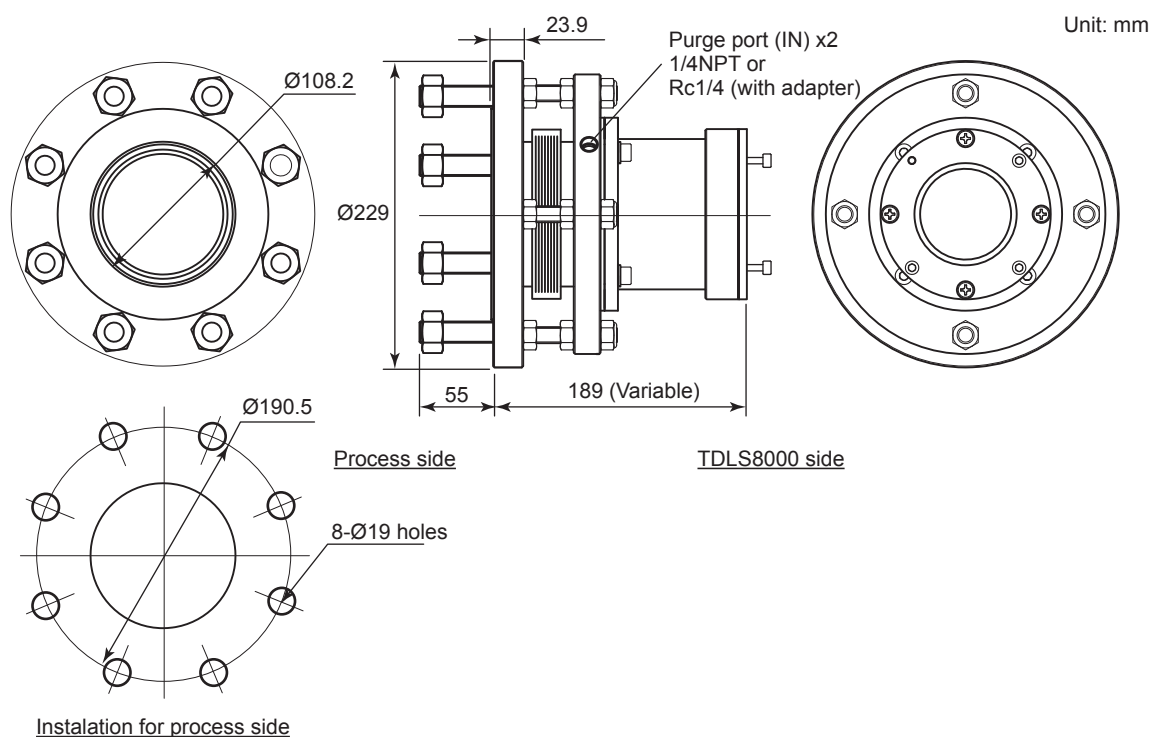
• Alignment Flange



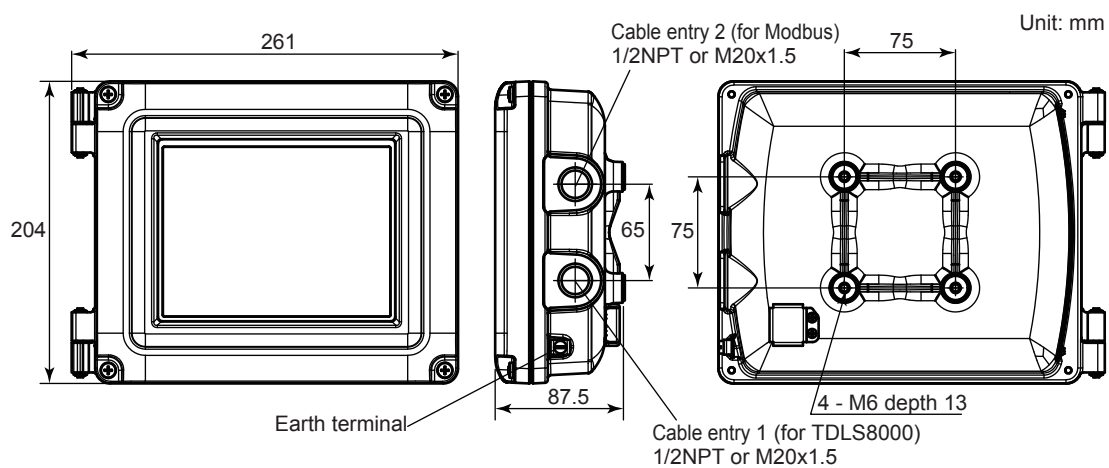
Optics Accessory code (flange)	Hole QTY Q	Hole h	Hole P.C.D C	Thickness t	Outside dia. D	Distance A	Purge port
-U2 ANSI CLASS150-2-RF(Eq.)	4	19	120.7	19.5	150	87	1/4NPT
-U3 ANSI CLASS150-3-RF(Eq.)	4	19	152.4	24.3	190	92	1/4NPT
-U4 ANSI CLASS150-4-RF(Eq.)	8	19	190.5	23.9	228.6	92	1/4NPT
-D5 DIN PN16-DN50-D(Eq.)	4	18	125	18	165	86	Rc1/4
-D8 DIN PN16-DN80-D(Eq.)	8	18	160	20	200	88	Rc1/4
-J5 JIS 10K-50-FF(Eq.)	4	19	120	16	155	84	Rc1/4
-J8 JIS 10K-80-FF(Eq.)	8	19	150	18	185	86	Rc1/4

• LAO (Large Aperture Optics); Optics Accessory code “-LA”

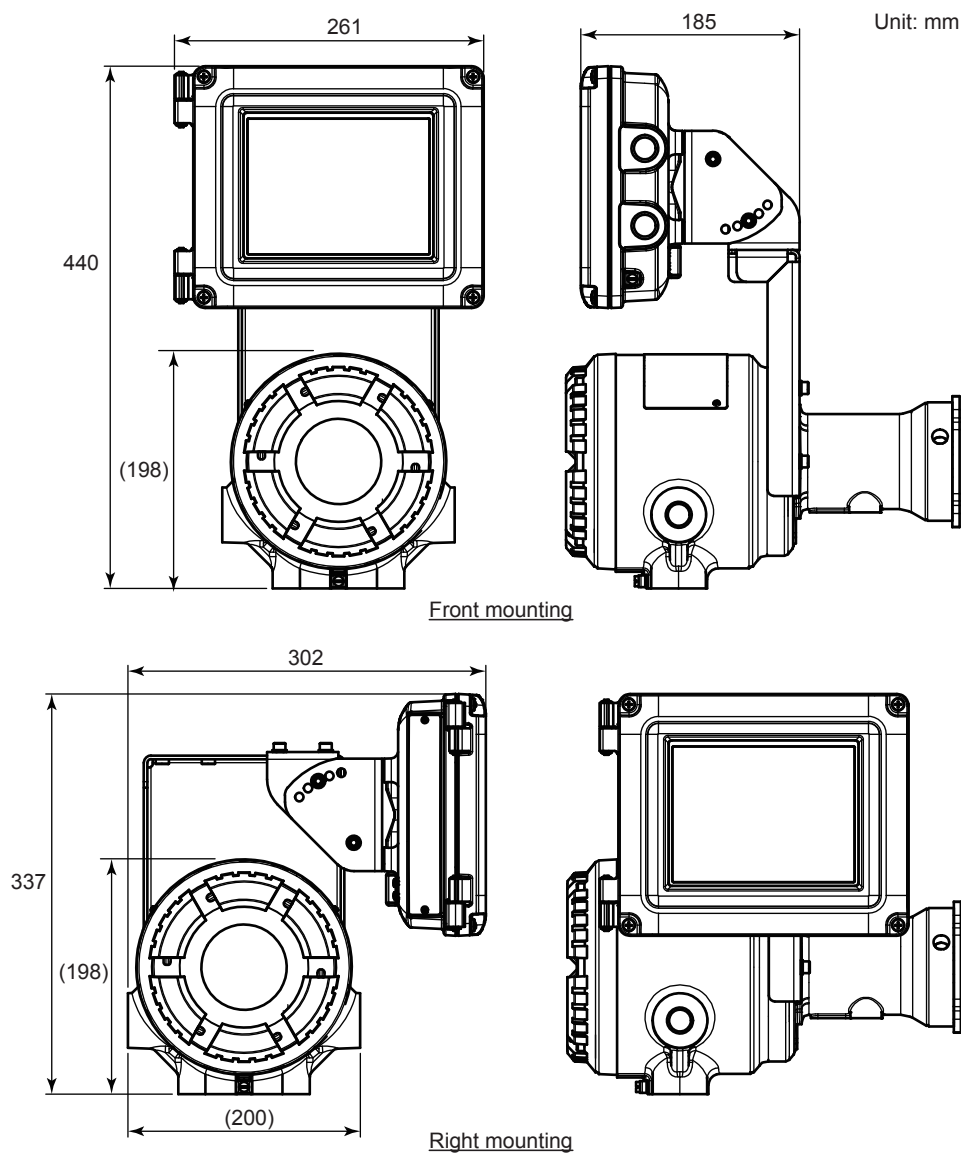
This accessory is only for SCU side. For LU side, the Alignment flange ANSI CLASS150-4-RF (Eq.) will be mounted. When piping is Rc1/4, a conversion adapter will be attached on the Alignment flange of the LU side.



■ YH8000 HMI Unit

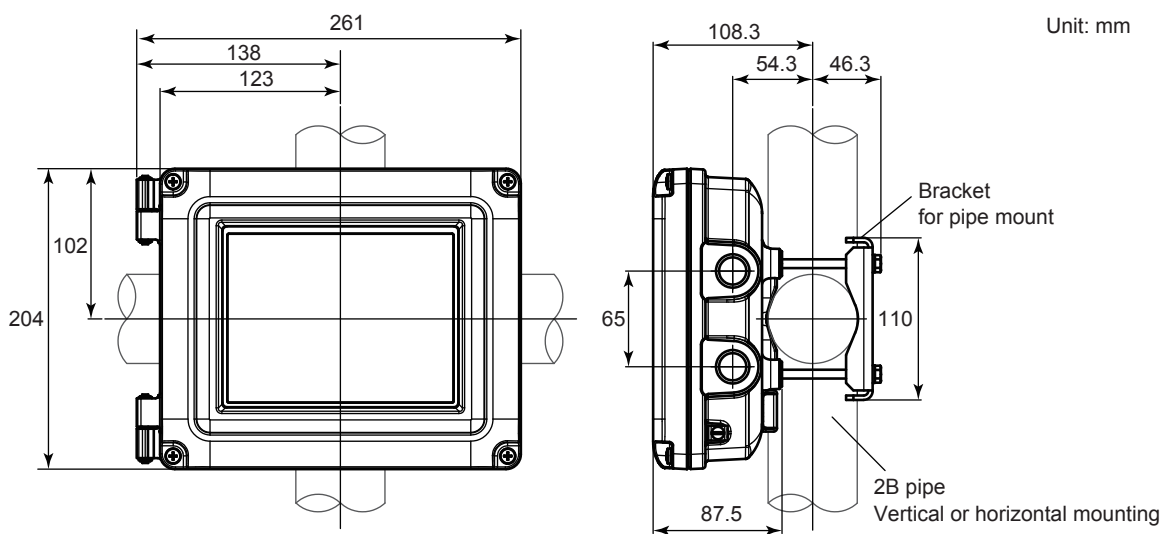


Mounting kit for TDLS8000 (Option code: /M)

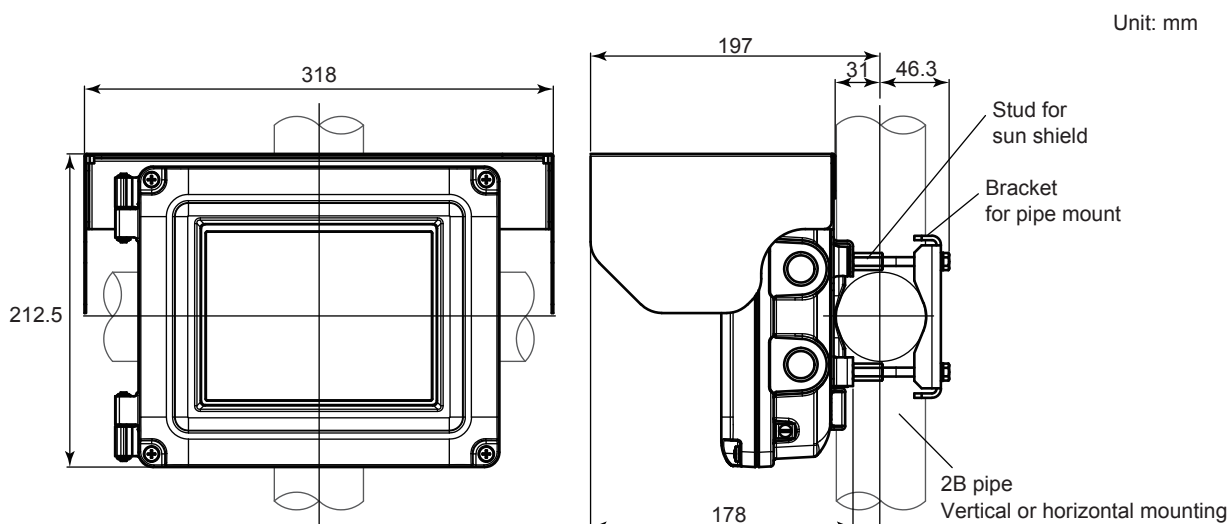


Available for left mounting

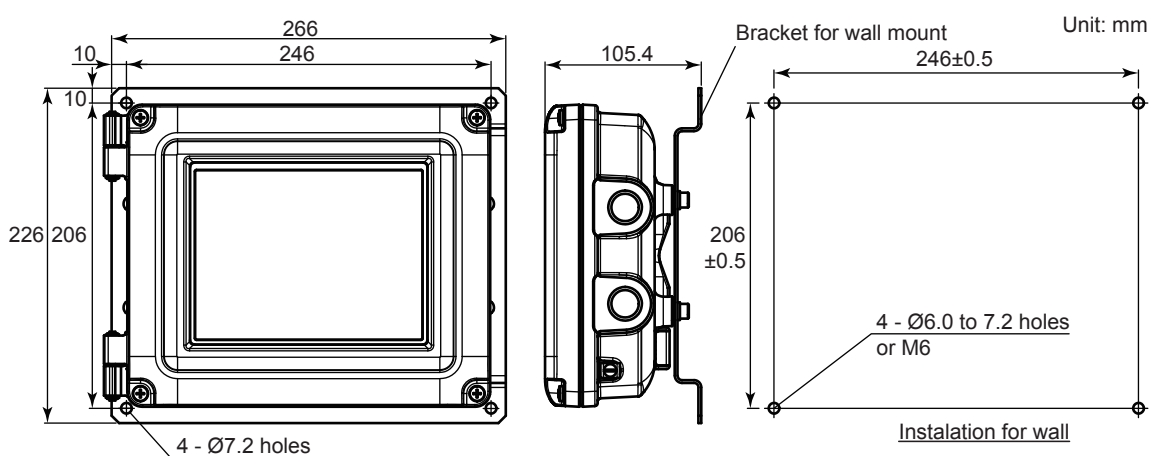
Pipe mount (Option code: /P)



Sun Shield (Option code: /S)

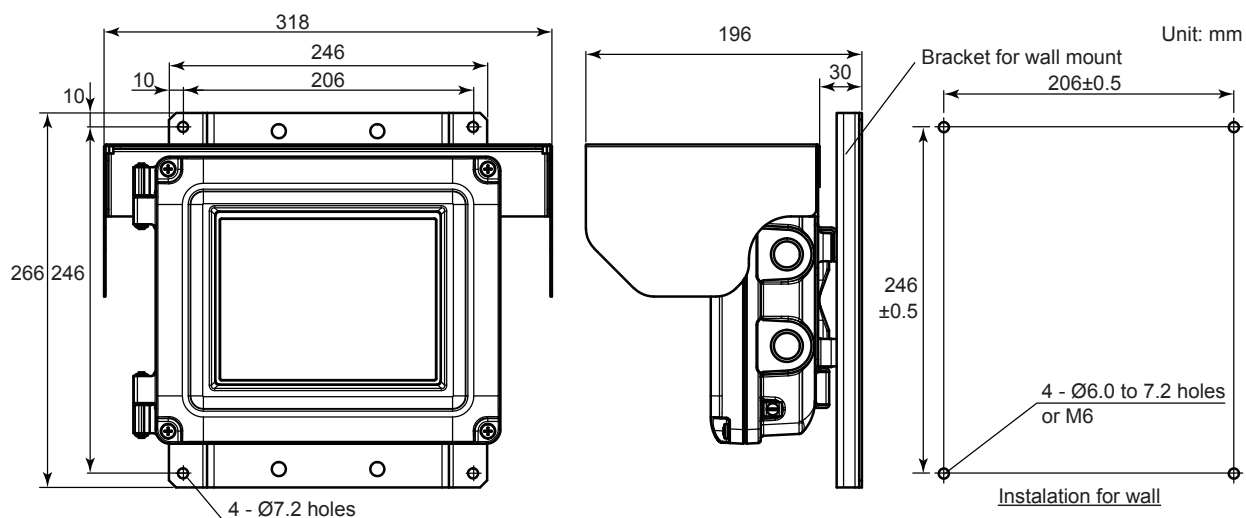


Wall mount (Option code: /W)



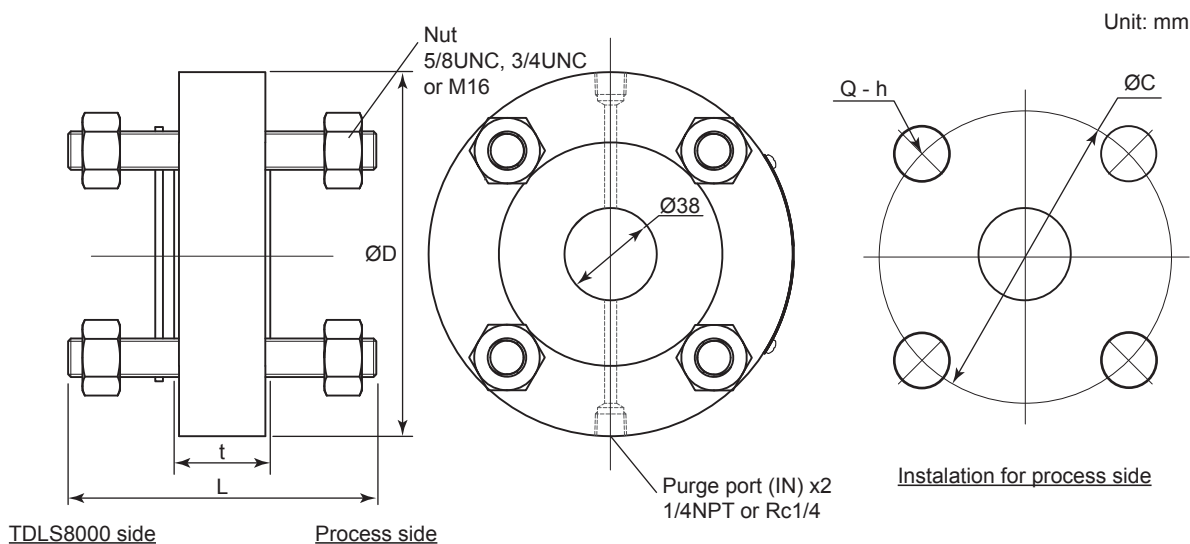
*: The wall construction for mounting has to be designed for 4 times the weight of the YH8000.
Bracket for wall mount can be placed in lengthwise

Sun Shield (Option code: /S)



When the sun shield is mounted, the bracket for wall have to be placed in widthwise.

■ **IF8000 Isolation Flanges**

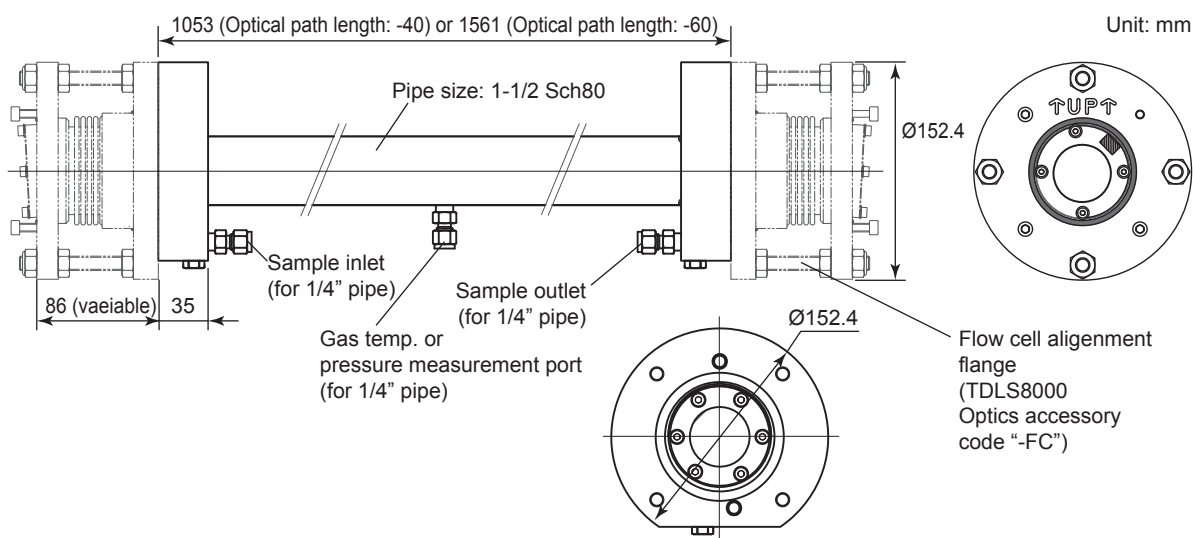


Process Connection code (flange)	Analyzer Connection code (flange)	Hole QTY	Hole h	Nut	Hole P.C.D C	Thickness t	Outside dia. D	Bolt length L	Purge port
-21 ANSI CLASS150-2-RF(Eq.)	-21 ANSI CLASS150-2-RF(Eq.)	4	19	5/8UNC	120.7	39.6	150	127	1/4NPT
-23 ANSI CLASS300-2-RF(Eq.)		8	19		127	39.6	165	137	
-31 ANSI CLASS150-3-RF(Eq.)		4	19		152.4	39.6	190	137	
-33 ANSI CLASS300-3-RF(Eq.)		8	22	168.3	39.6	210	146		
-41 ANSI CLASS150-4-RF(Eq.)		8	19	190.5	39.1	228.6	137		
-50 DIN PN16-DN50-D(Eq.)	-50 DIN PN16-DN50-D(Eq.)	4	18	M16	125	41.6	165	137	Rc1/4
-80 DIN PN16-DN80-D(Eq.)		8	18		160	41.6	200	137	
-J5 JIS 10K-50-FF(Eq.)		4	19		120	40.6	165	139	
-J8 JIS 10K-80-FF(Eq.)		8	19		150	40.6	185	139	

■ YC8000 Flow Cell

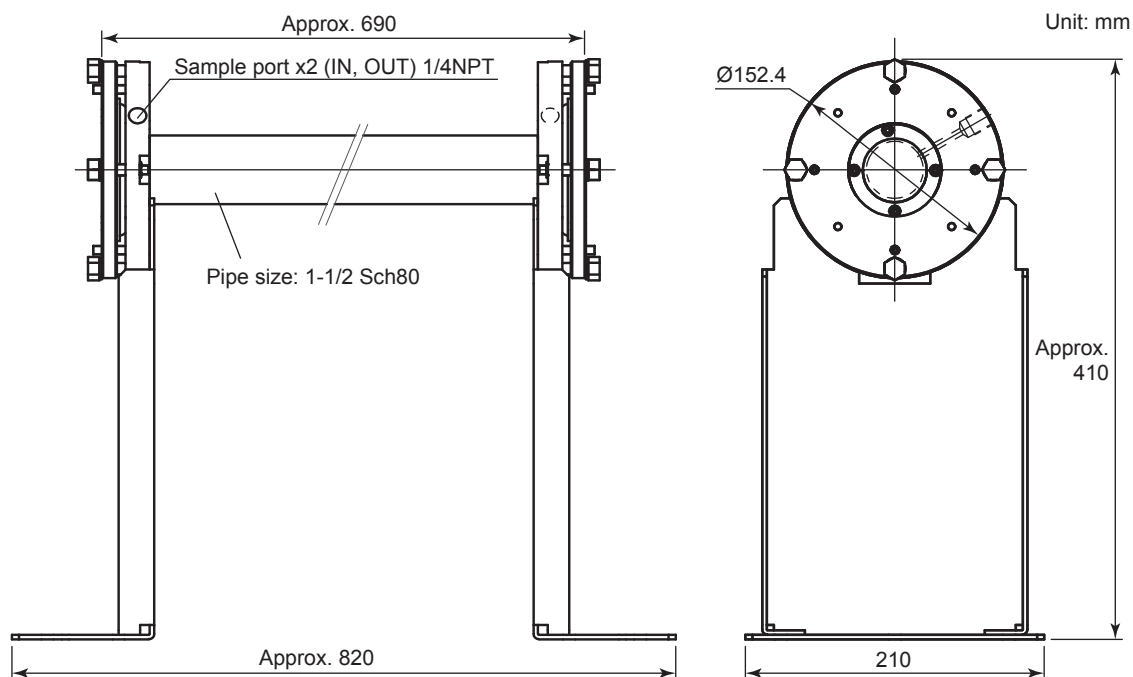
TDLS8000 have to be assigned the dedicated Alignment flange (Optic Accessory: -FC).

When piping is Rc1/4, a conversion adopter will be attached on the Alignment flange.



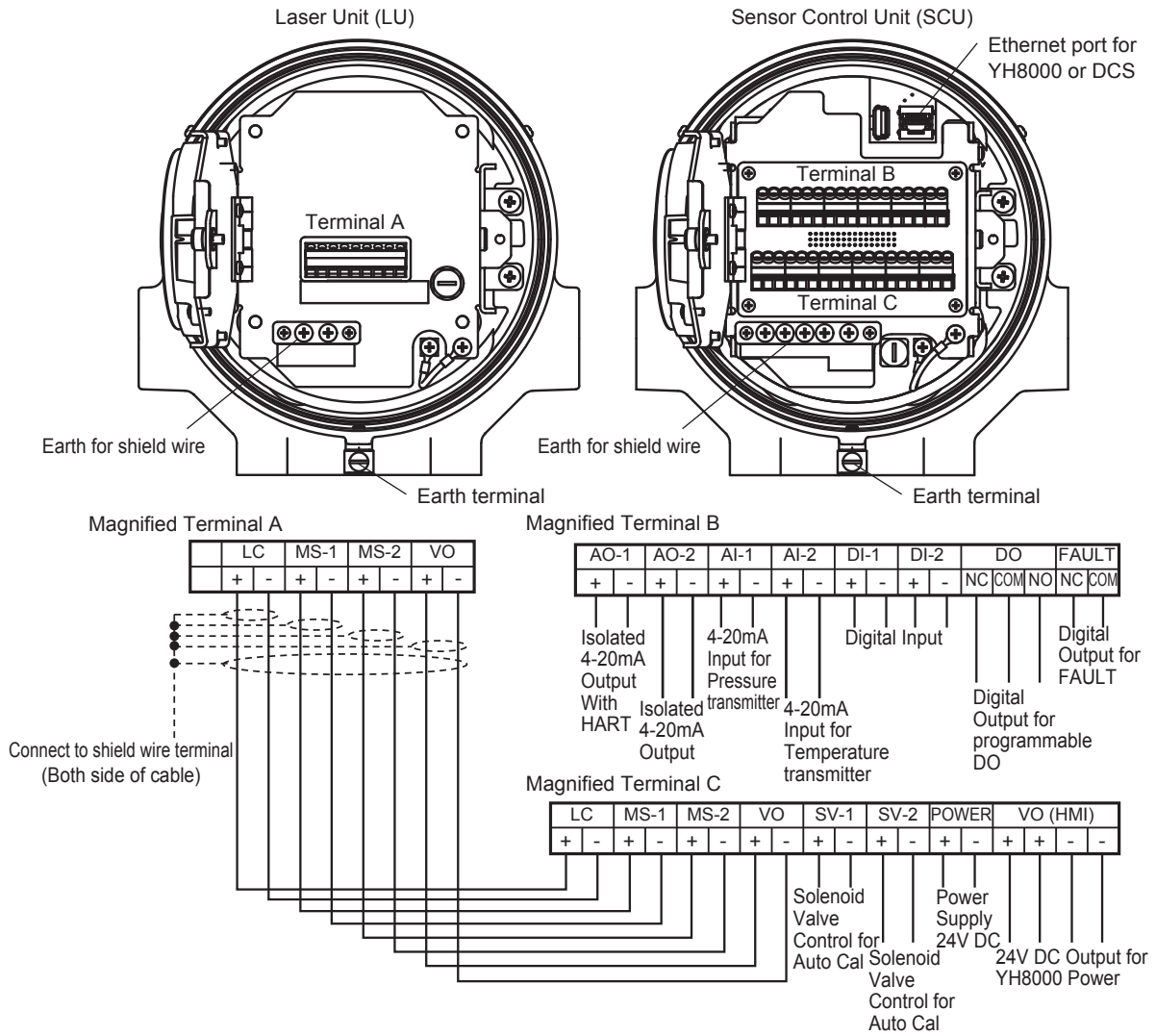
■ Calibration Cell

Part number: K9772XA, K9772XB, K9772XC, K9772XD, K9772XE, K9772XE, K9772XF, K9772XG, K9772XH, K9772XJ, K9772XL, K9772XM

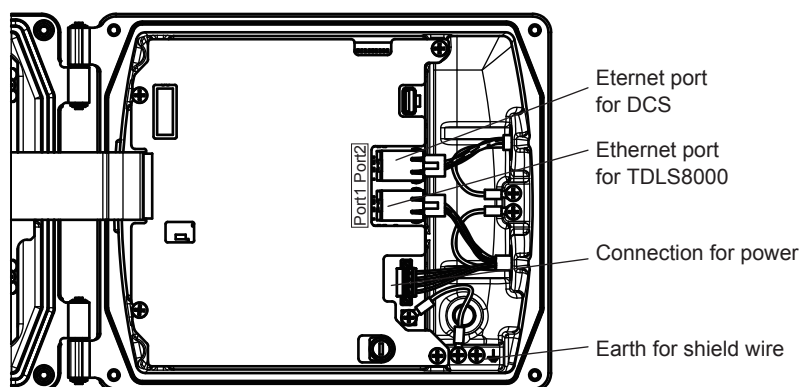


■ WIRING

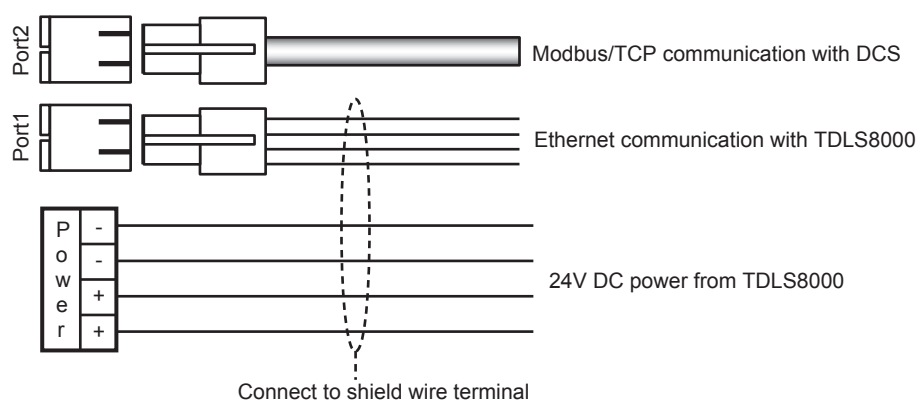
Wiring Laser Unit and Sensor Control Unit



Wiring the YH8000 HMI UNIT

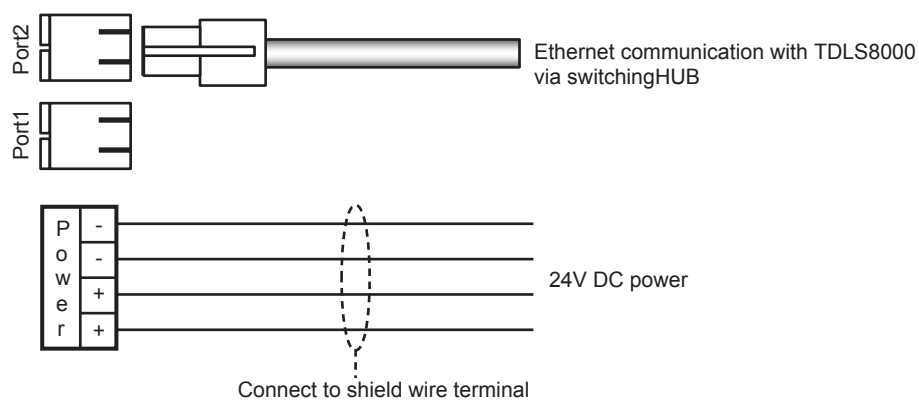


Local HMI configuration



- Connection cable between TDLS8000 and YH8000 must use special cable which can be specified option code "/C."
- Maximum cable length between TDLS8000 and YH8000 is 3m.
- Maximum cable length between YH8000 and DCS is 100m.

Remote HMI configuration



- Maximum cable length between YH8000 and Switching HUB is 100m.

TDLS8000 Tunable DiodeLase Gas Analyzer Inquiry Form

Thank you for your inquiry about our TDLS8000 Tunable Diode Laser Gas Analyzer. Please make inquiries by placing checkmarks in the appropriate boxes and filling in the blanks. (The items with check mark and descriptions previously filled on the underlines are fixed requirements.)

1. General Information

Company : _____
 Address : _____
 Contact Person : _____
 Email : _____
 Telephone : _____
 Fax : _____
 Requested delivery date (day/month/year) : _____
 Plant name : _____
 Brief Description of application : _____

2. Installation Details (check one-see drawing)

- Cross Stack/Pipe. For measurement across the process.
 Path length _____
 Process Connection _____
- Bypass Leg. Measurement across bypass leg located at process measurement point.
 Path length _____
 Process Connection _____
- Extractive. Sample is extracted and transported (by others) to analyzer.

3. Analyzer Options:

- YH8000 HMI Unit IF8000 Isolation Flanges YC8000 Flow Cell
 Calibration Cell Unit Connection Cable
 Cable length from Analyzer Unit to HMI Unit (specify units) : _____
 Area Classification: _____
 Ambient Temperature (Min-Max.) Specify units _____

4. Process Wetted Materials

Must Use _____
 Must Not Use _____

5. Stream Composition (1 sheet per stream analyzed)

Component Name	Concentrations			Units ppm(v)/vol%	Measured Yes/No	Range If Measured
	Min.	Typ.	Max.			

6. Physical Properties

	Units	Min.	Typ.	Max.
Temperature				
Pressure				
Dew Point				
Water Vapor				
Flow				
Velocity				
Particulate Concentration				

Installation location: Indoor Outdoor

Ambient temperature: _____ to _____
°C

**7. General Application & Installation Notes/
Comments:**

--